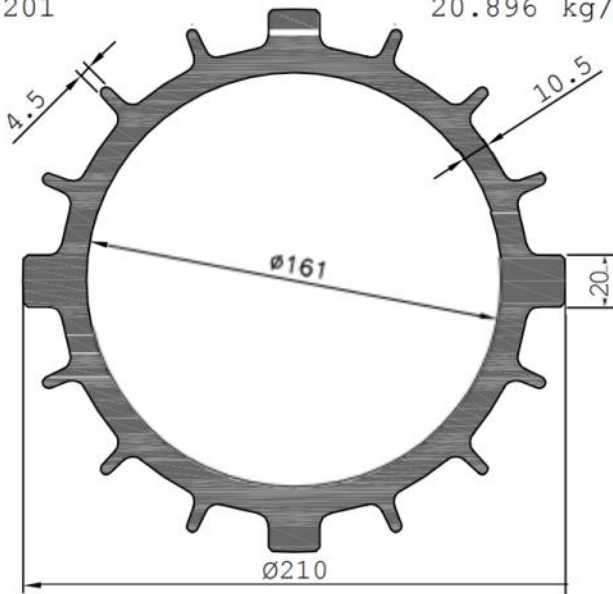
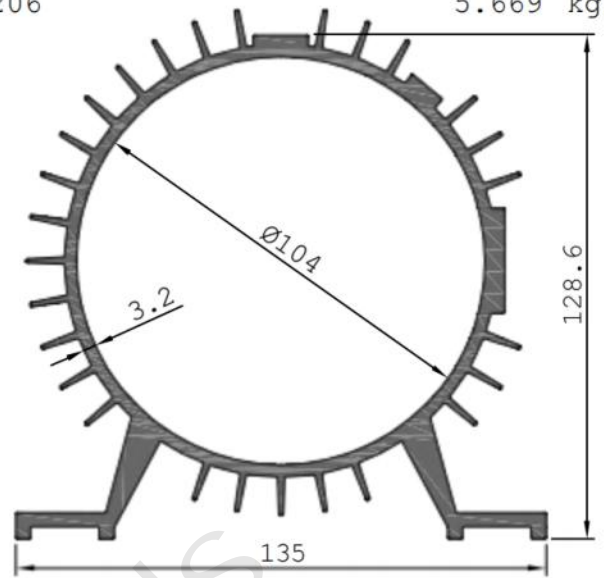


PUMP AND MOTOR BODY

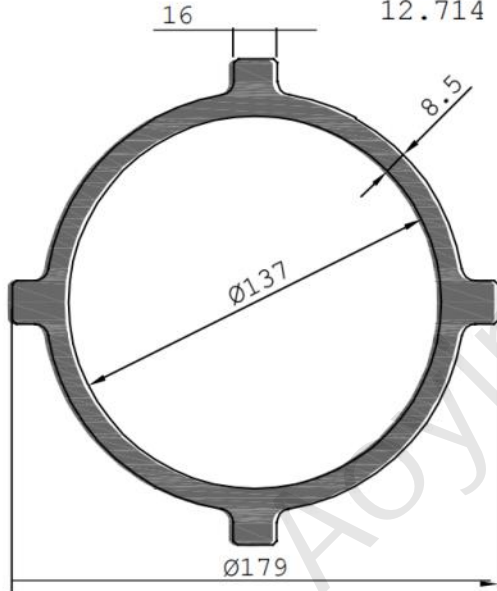
27201 20.896 kg/m



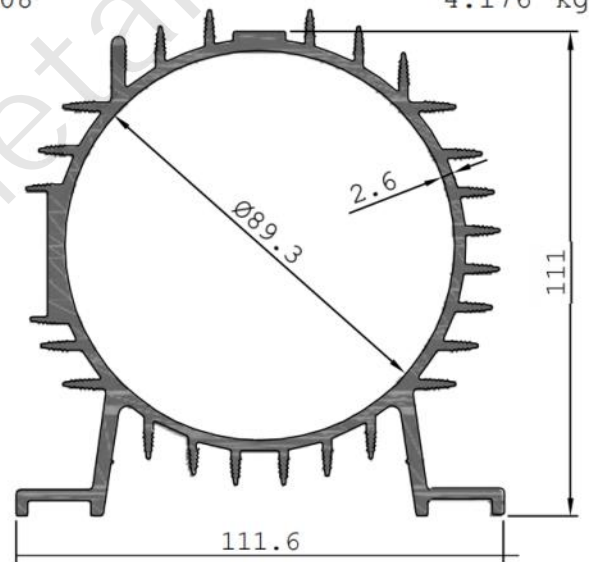
27206 5.669 kg/m



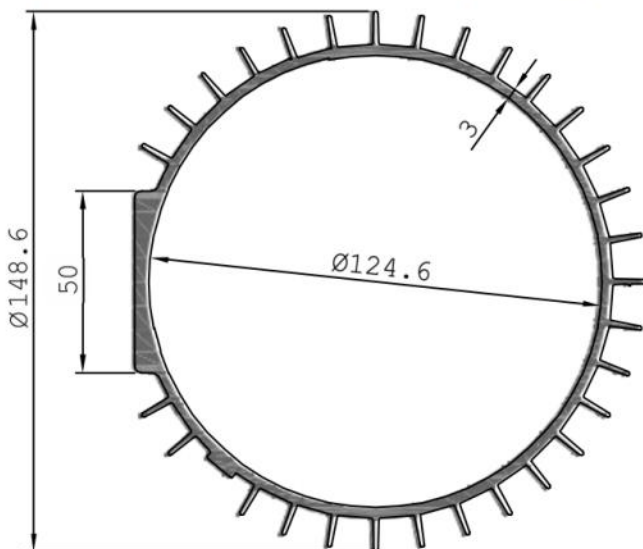
27207 12.714 kg/m



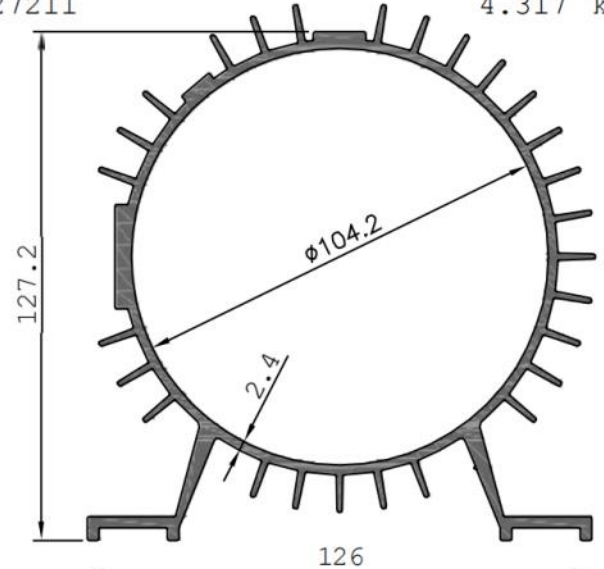
27208 4.176 kg/m



27209 4.612 kg/m



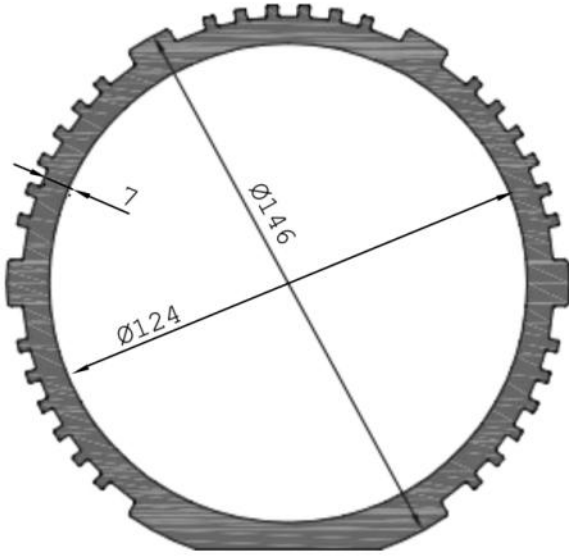
27211 4.317 kg/m



PUMP AND MOTOR BODY

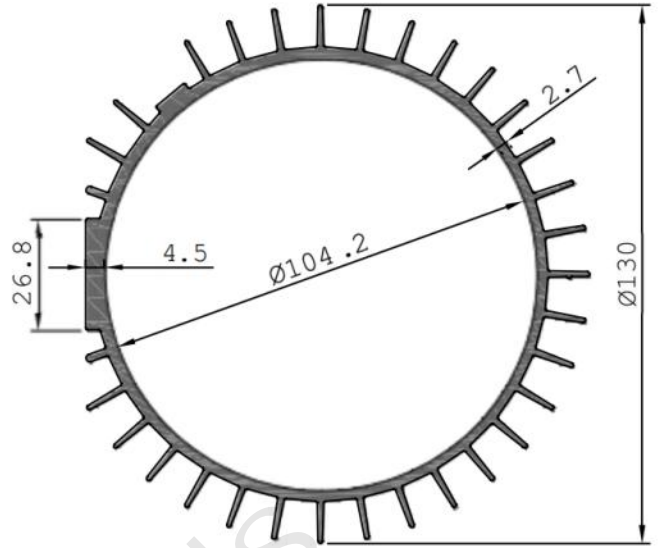
27299

9.610 kg/m



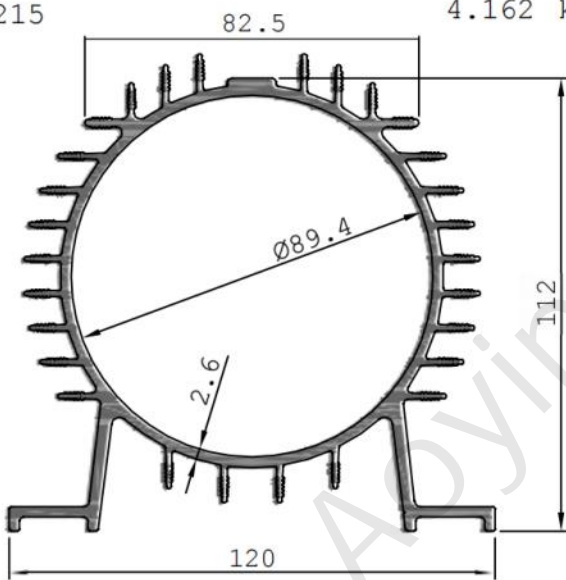
27214

3.813 kg/m



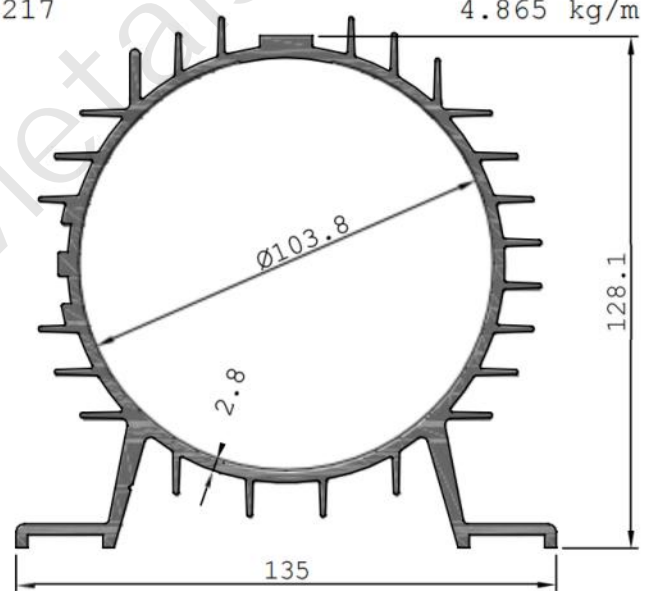
27215

4.162 kg/m



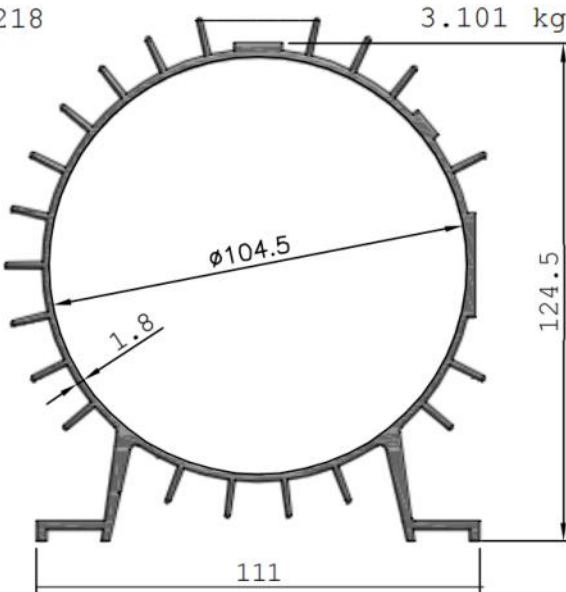
27217

4.865 kg/m



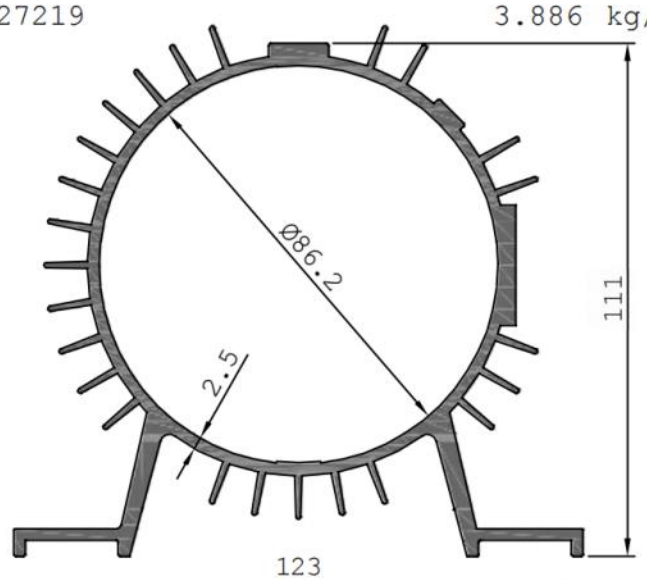
27218

3.101 kg/m



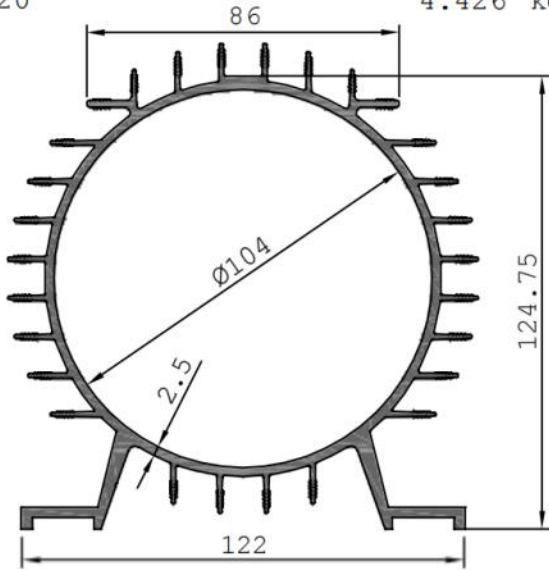
27219

3.886 kg/m

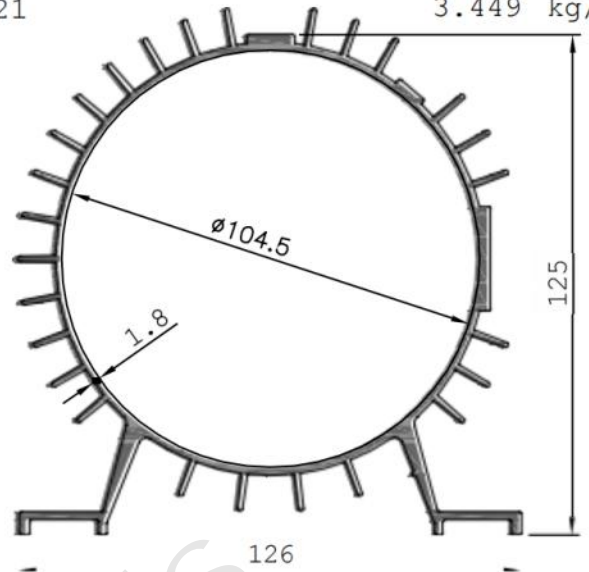


PUMP AND MOTOR BODY

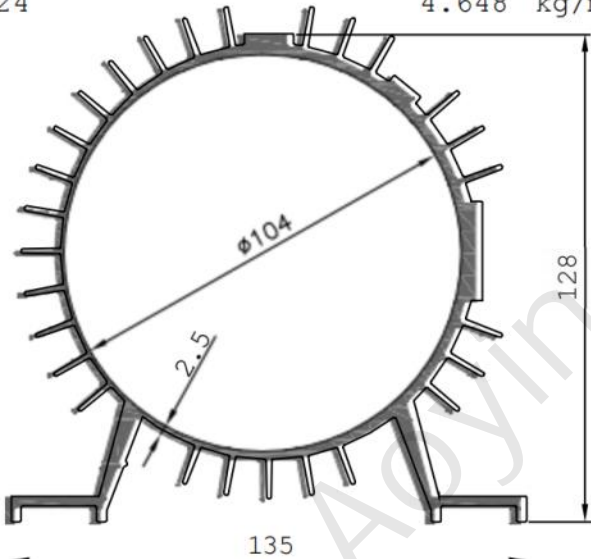
27220 4.426 kg/m



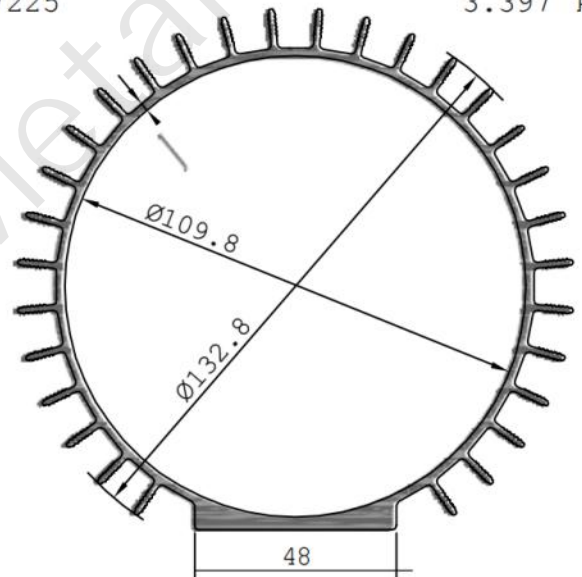
27221 3.449 kg/m



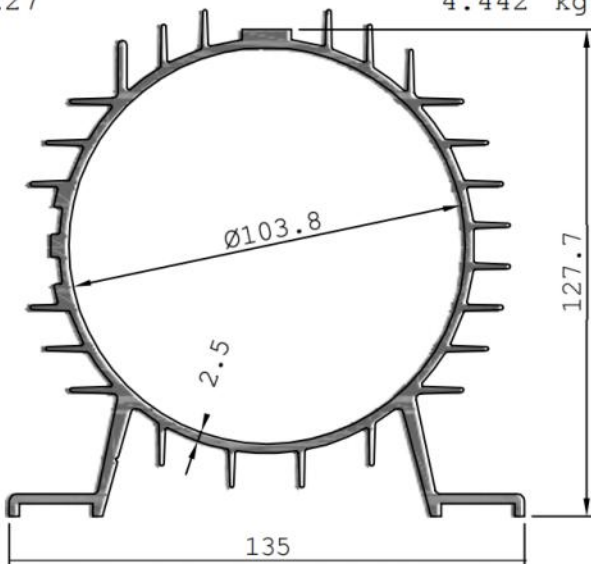
27224 4.648 kg/m



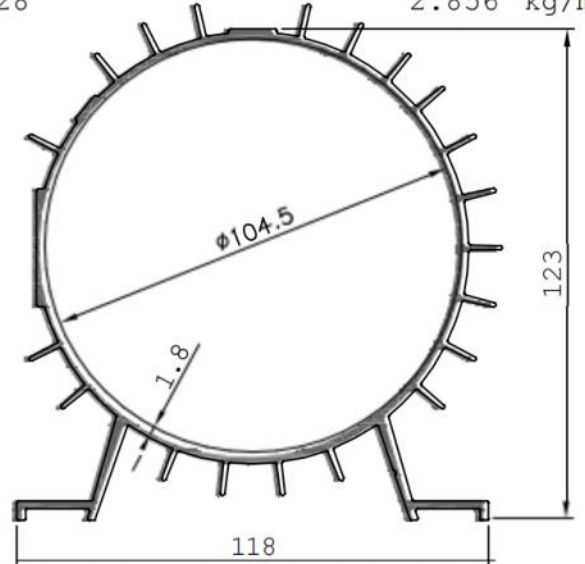
27225 3.397 kg/m



27227 4.442 kg/m

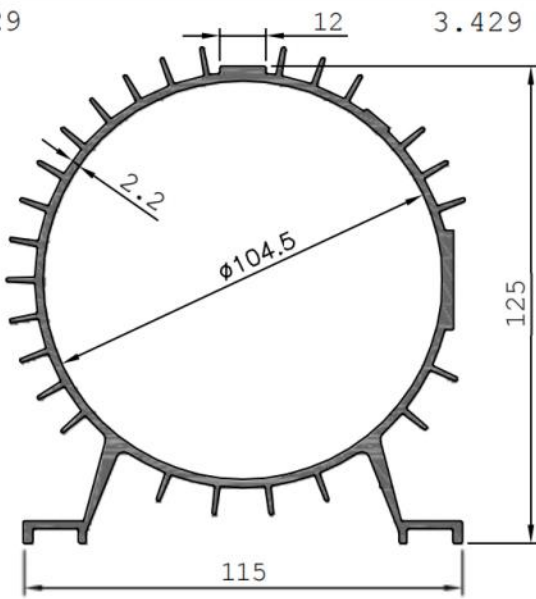


27228 2.856 kg/m

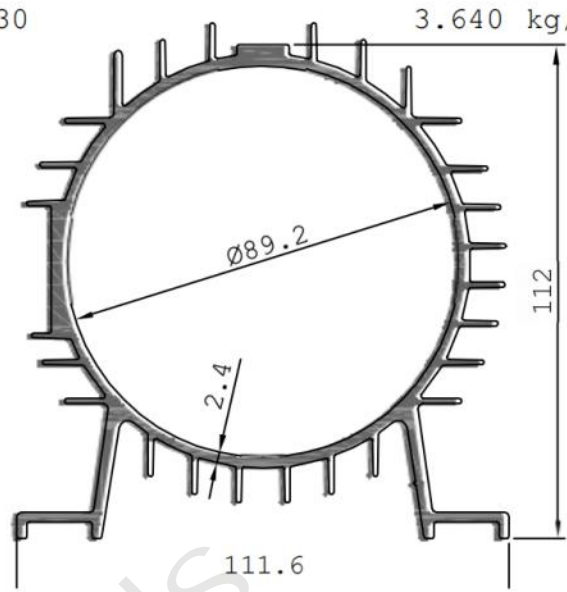


PUMP AND MOTOR BODY

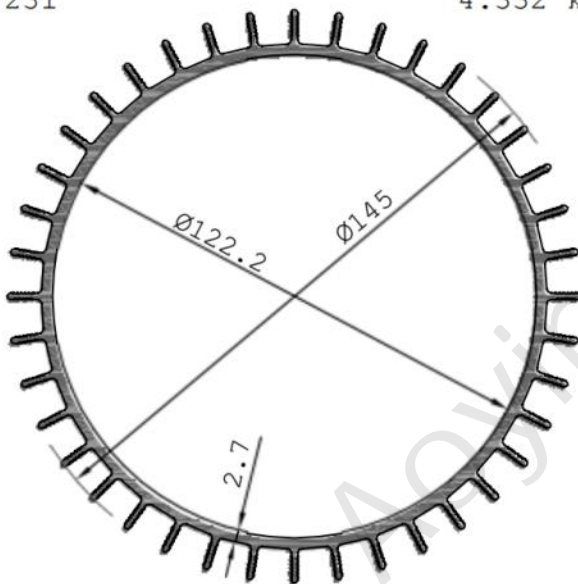
27229 3.429 kg/m



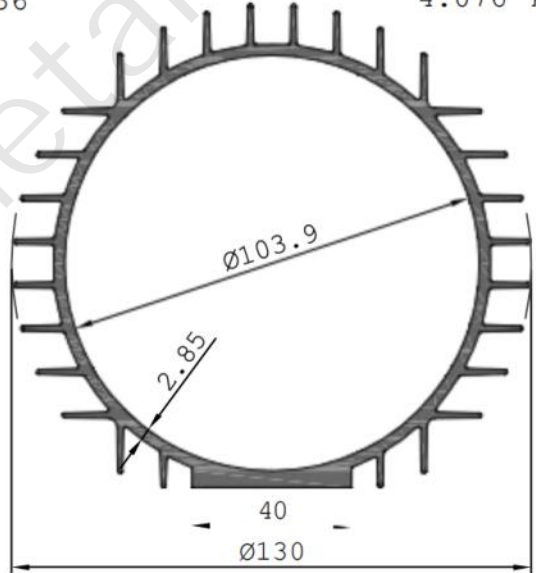
27230 3.640 kg/m



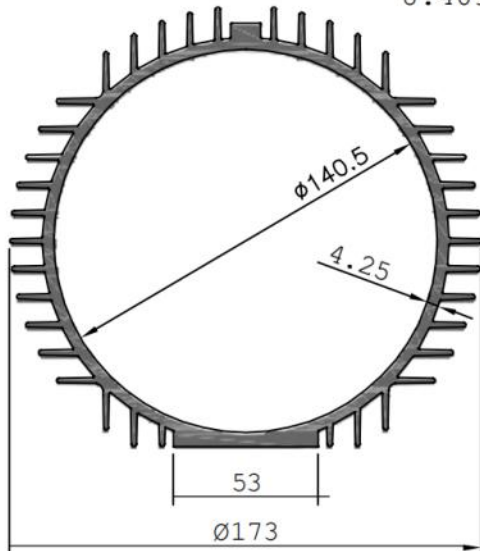
27231 4.332 kg/m



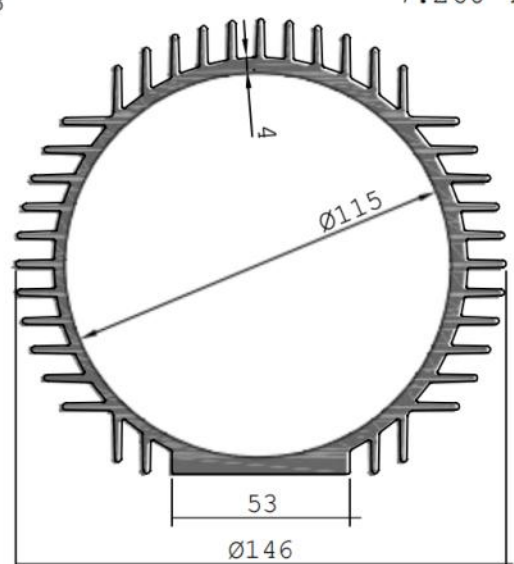
27236 4.076 kg/m



27237 8.409 kg/m

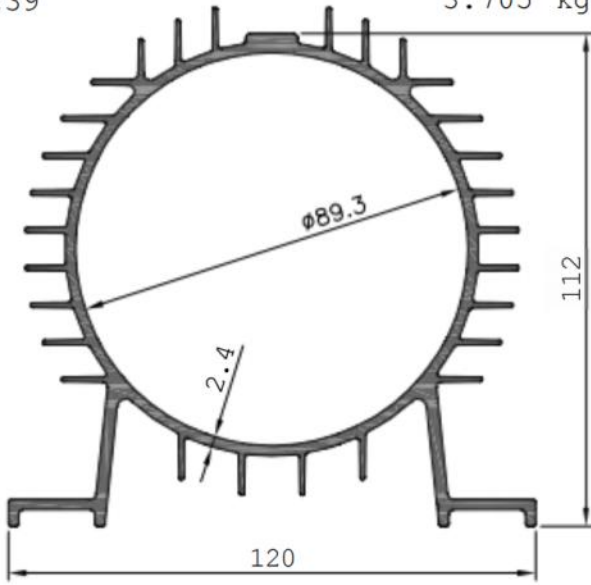


27238 7.260 kg/m

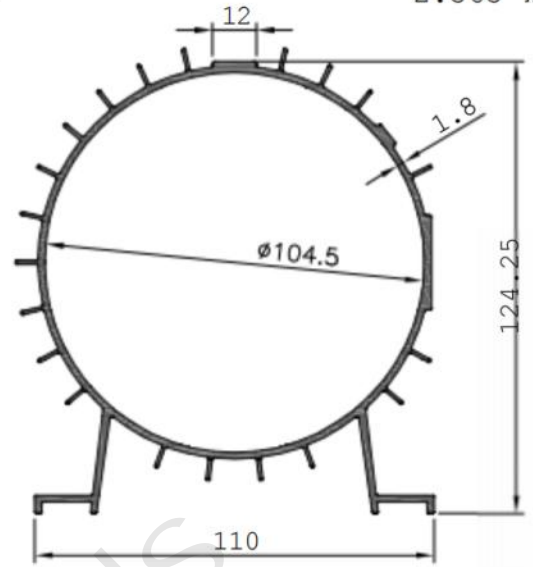


PUMP AND MOTOR

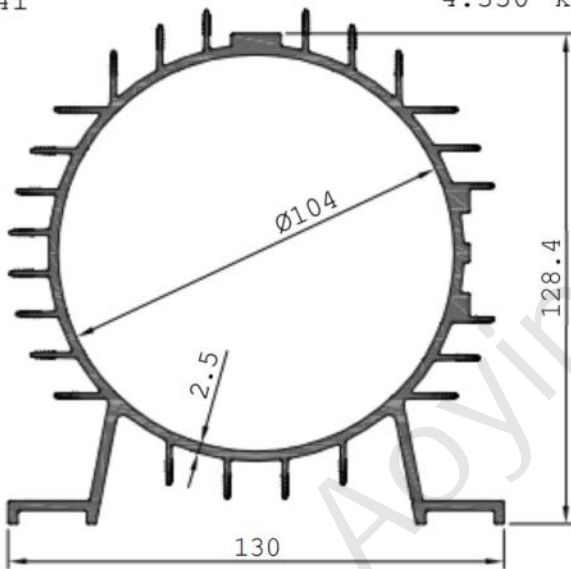
27239 3.705 kg/m



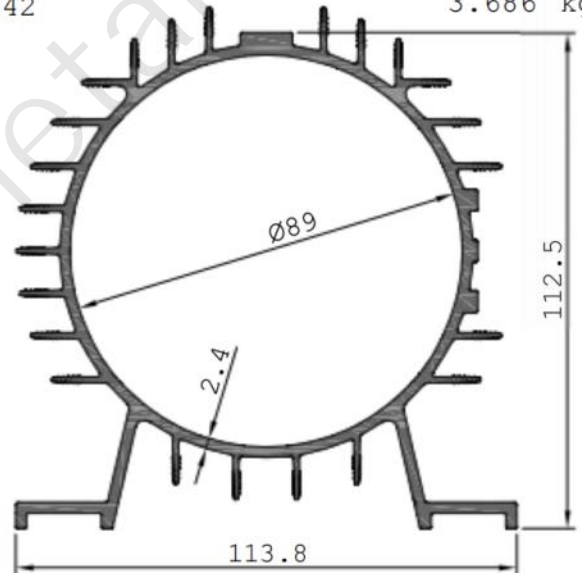
27240 2.565 kg/m



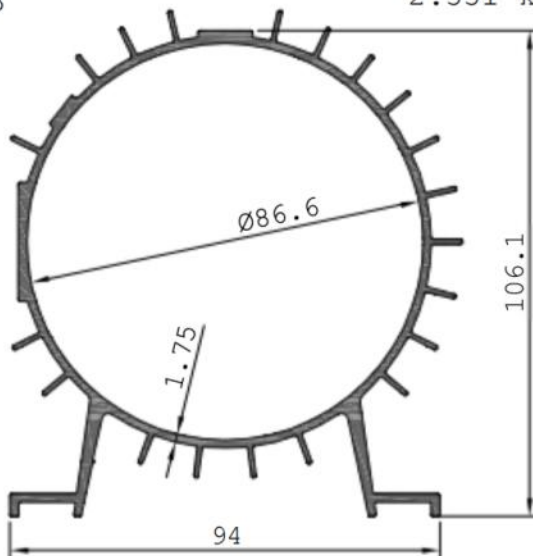
27241 4.330 kg/m



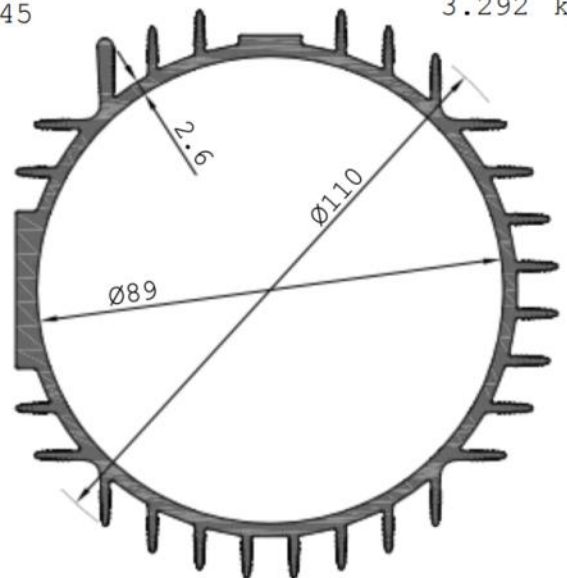
27242 3.686 kg/m



27243 2.331 kg/m



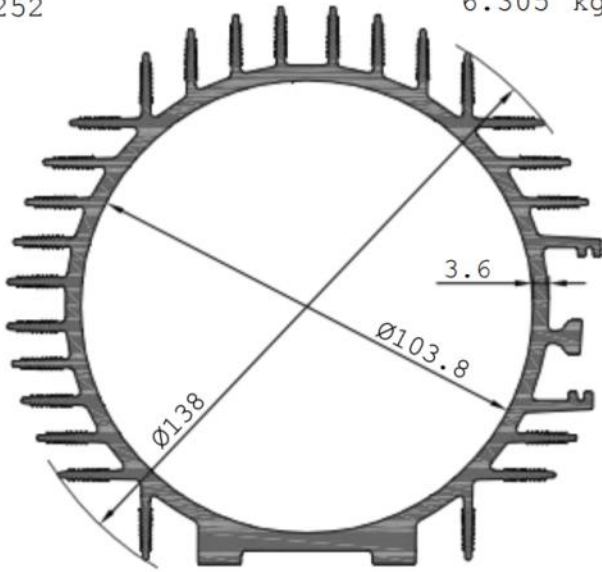
27245 3.292 kg/m



PUMP AND MOTOR

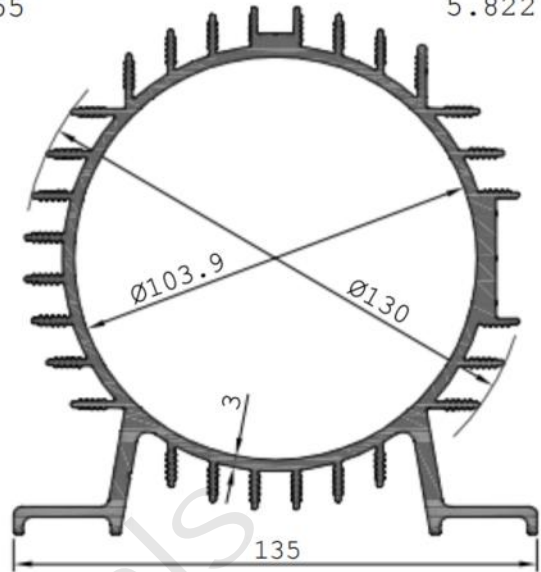
27252

6.305 kg/m



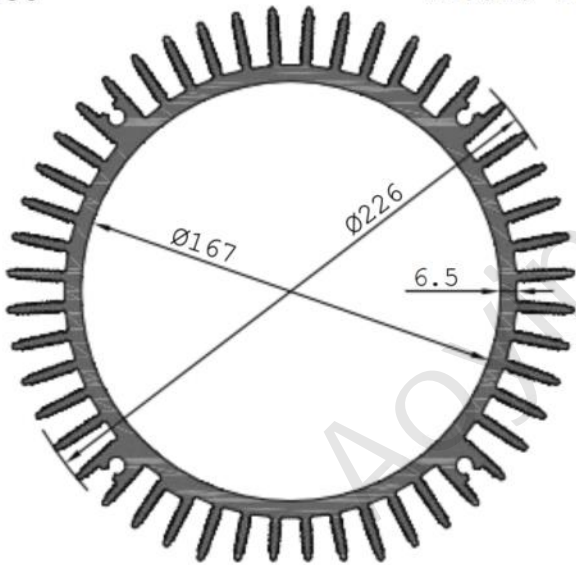
27255

5.822 kg/m



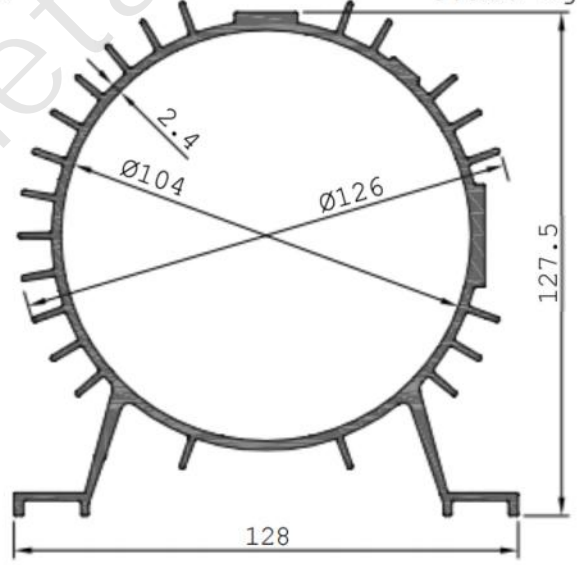
27256

21.026 kg/m



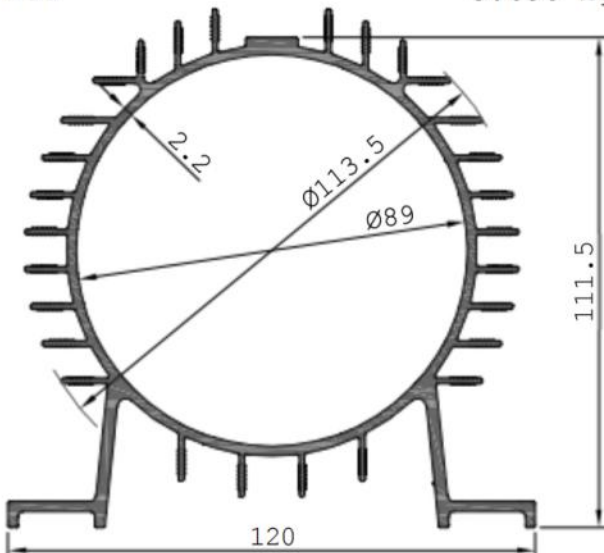
27257

3.906 kg/m



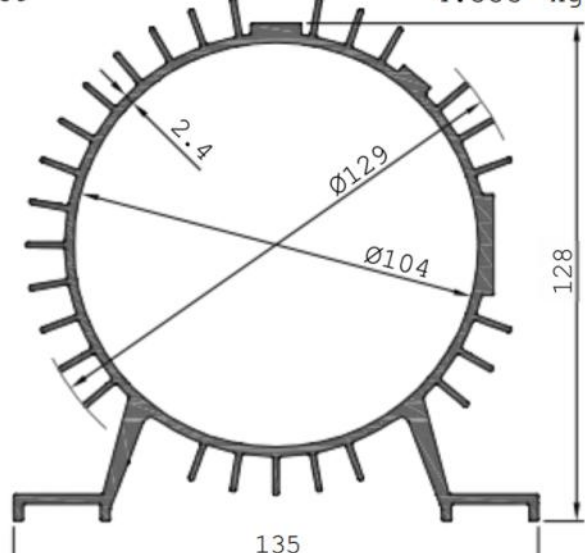
27258

3.636 kg/m



27259

4.553 kg/m

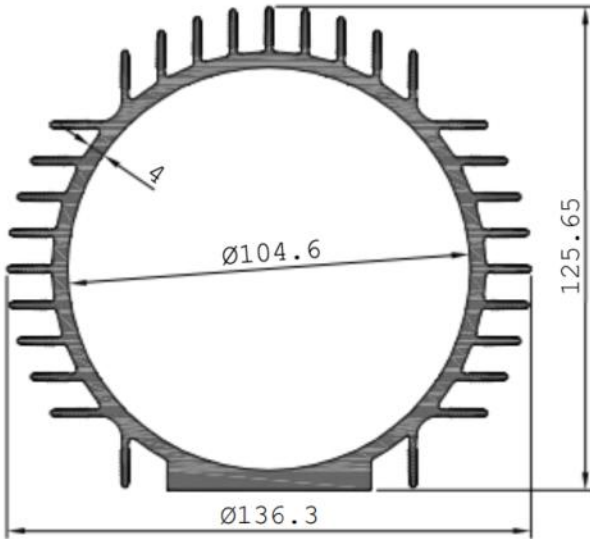


INDUSTRIAL

PUMP AND MOTOR BODY

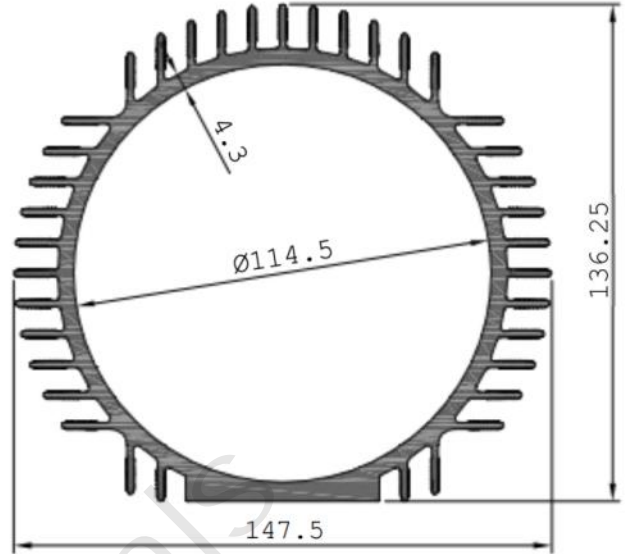
27260

6.111 kg/m



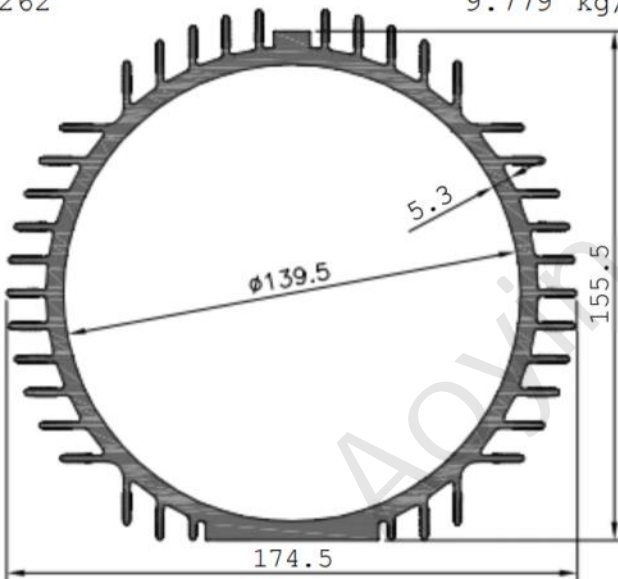
27261

7.384 kg/m



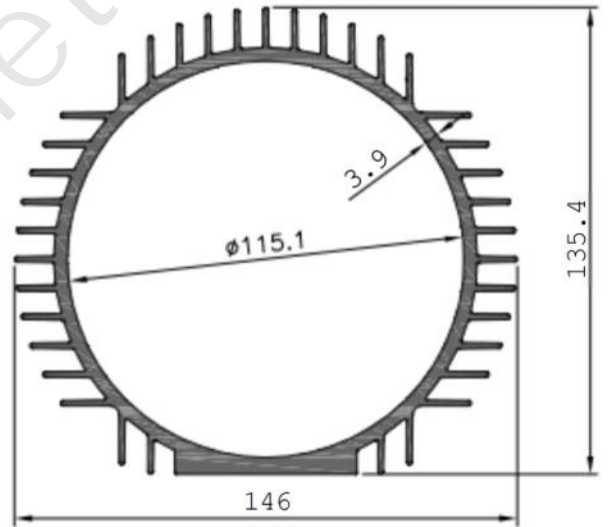
27262

9.779 kg/m



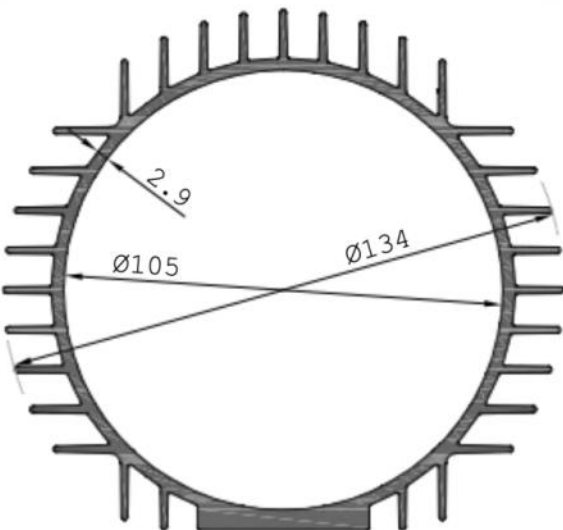
27263

6.416 kg/m



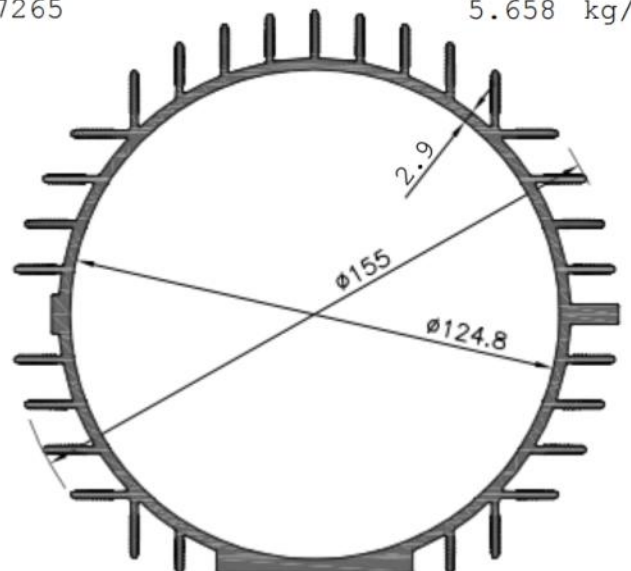
27264

4.805 kg/m



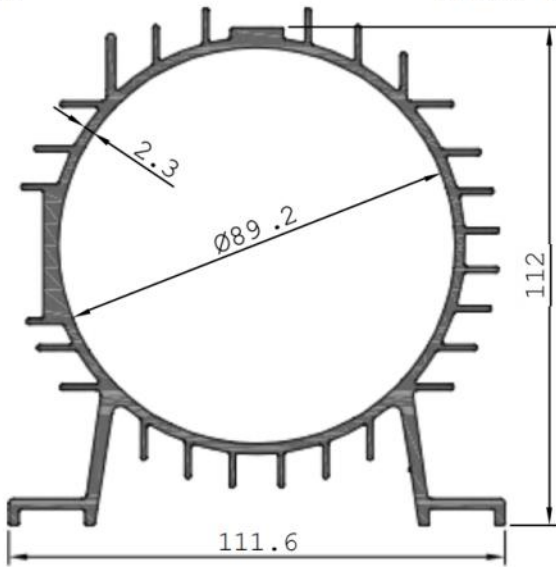
27265

5.658 kg/m

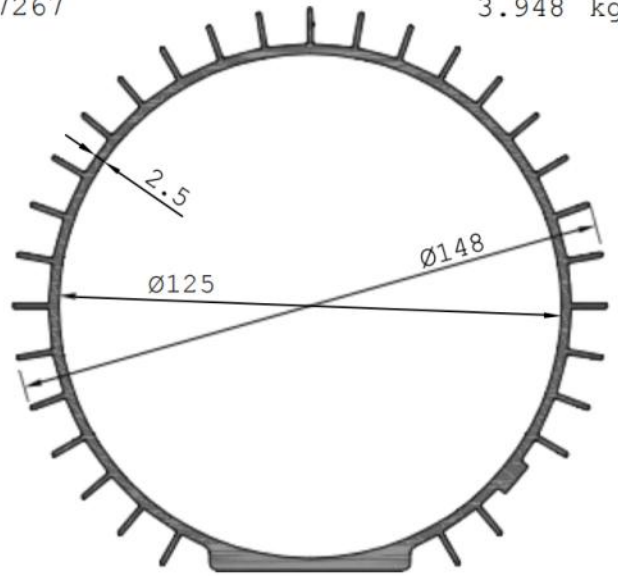


PUMP AND MOTOR BODY

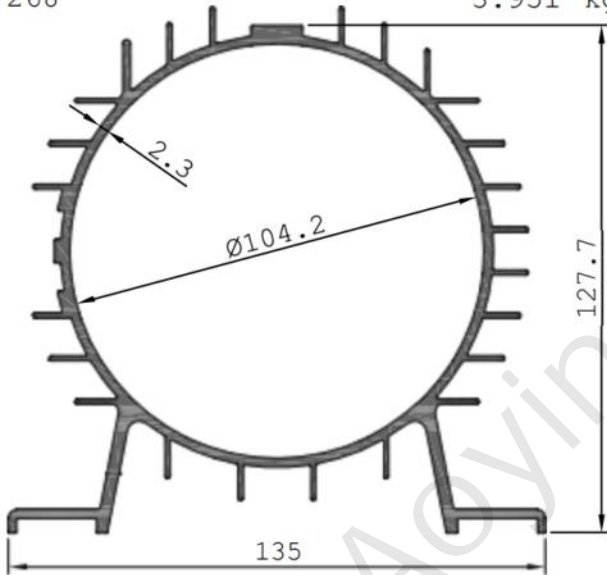
27266 3.600 kg/m



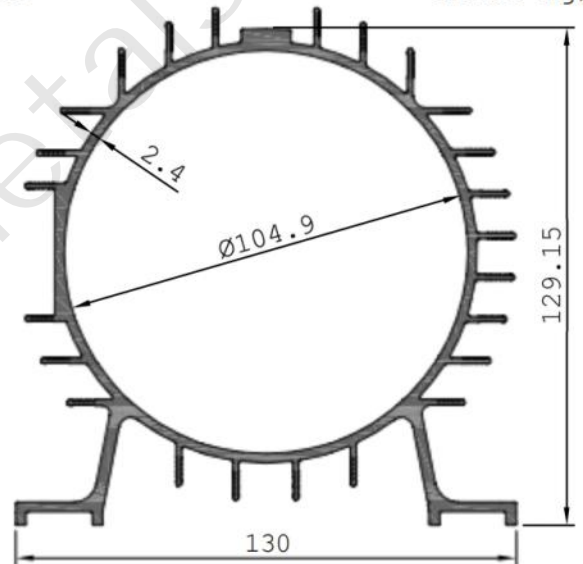
27267 3.948 kg/m



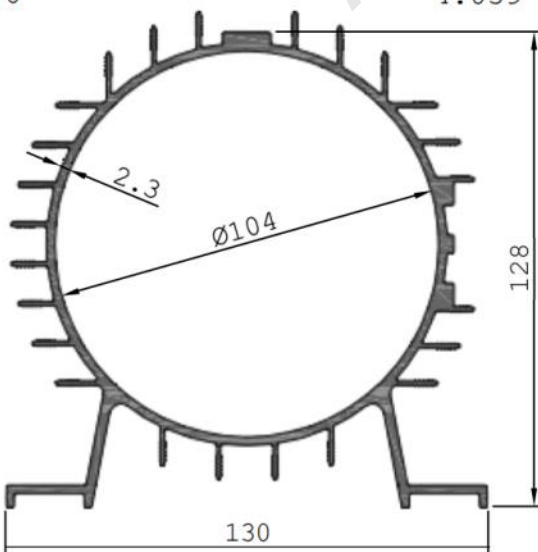
27268 3.951 kg/m



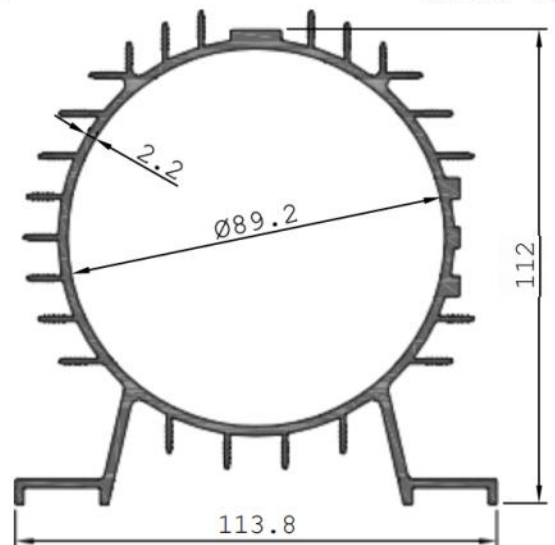
27269 4.284 kg/m



27270 4.039 kg/m



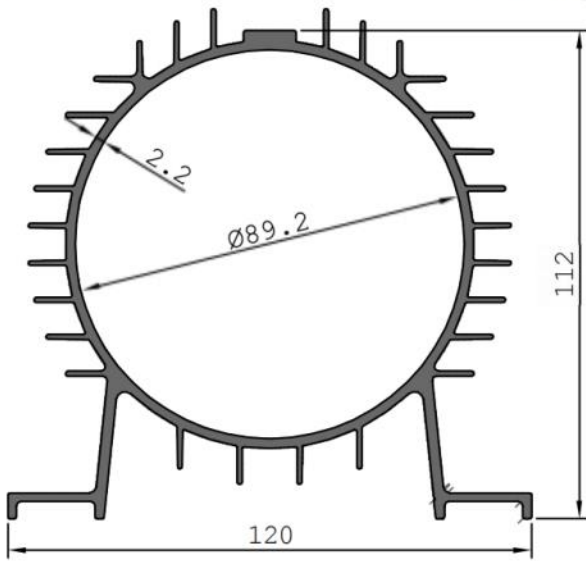
27271 3.226 kg/m



PUMP AND MOTOR BODY

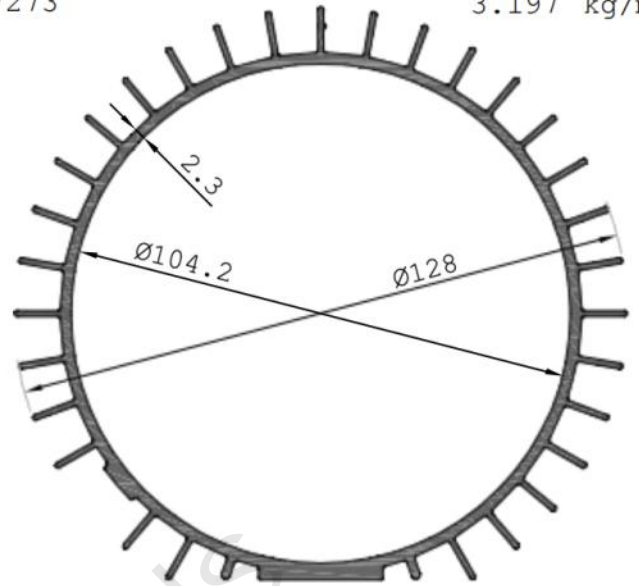
27272

3.343 kg/m



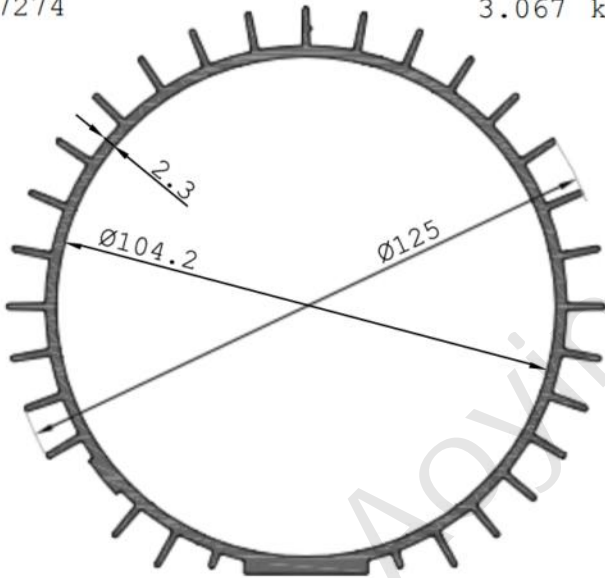
27273

3.197 kg/m



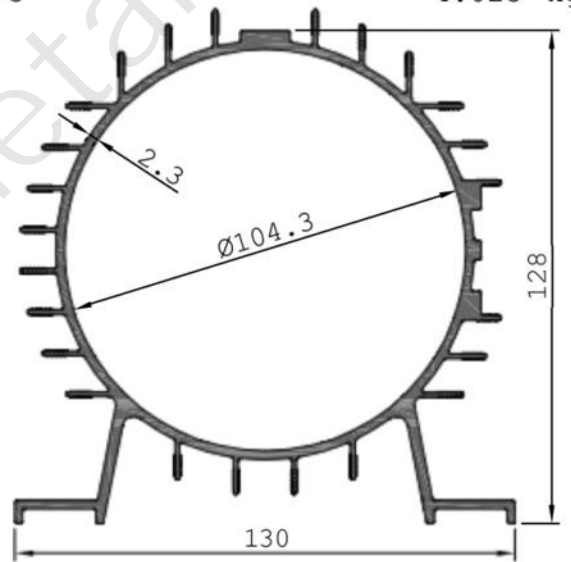
27274

3.067 kg/m



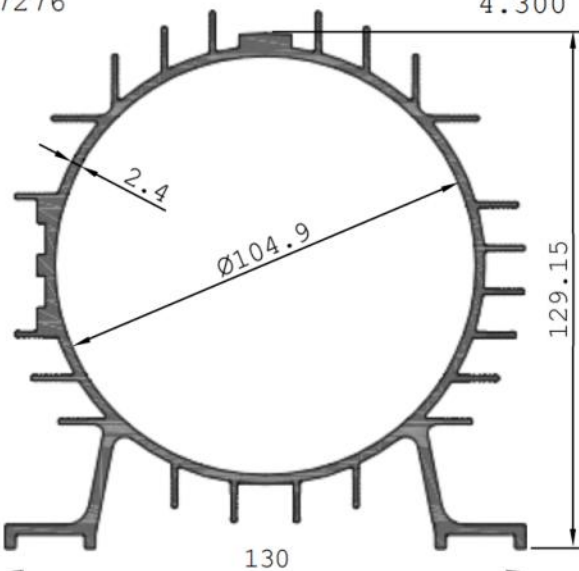
27275

4.023 kg/m



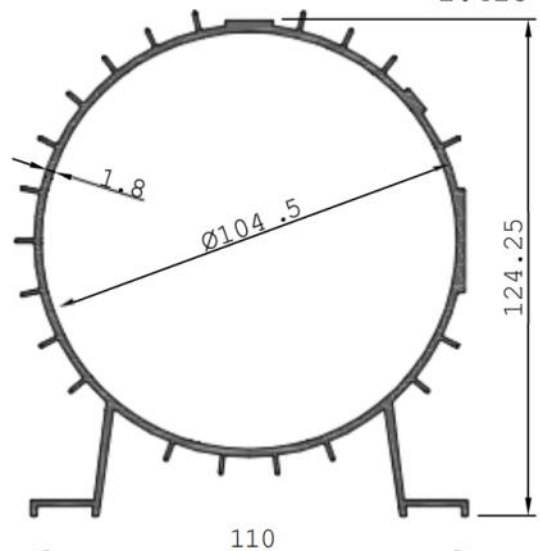
27276

4.300 kg/m



27277

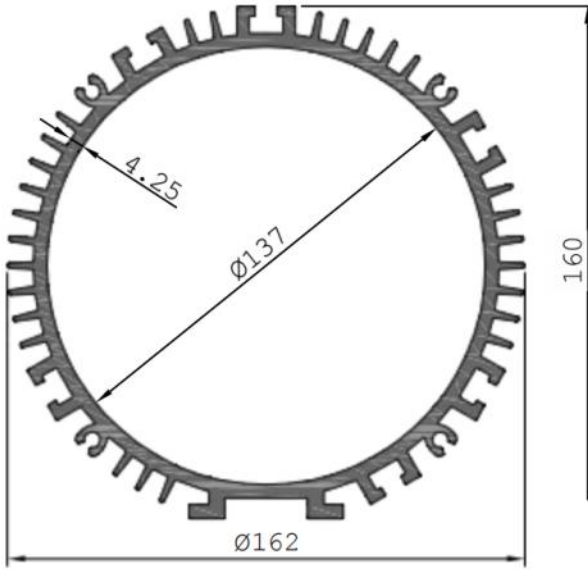
2.428 kg/m



PUMP AND MOTOR BODY

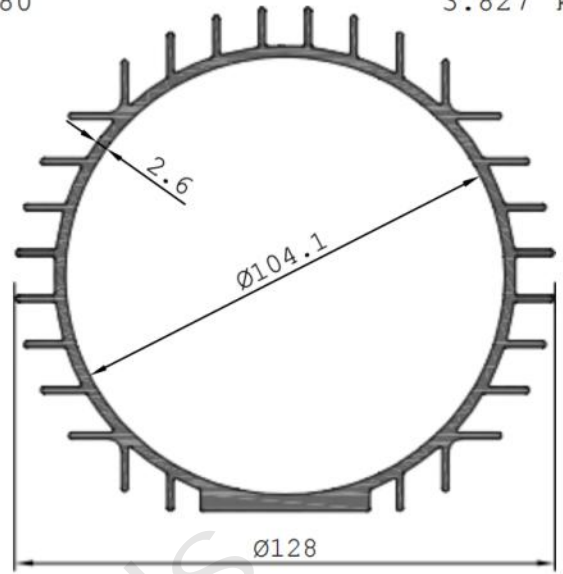
27278

8.339 kg/m



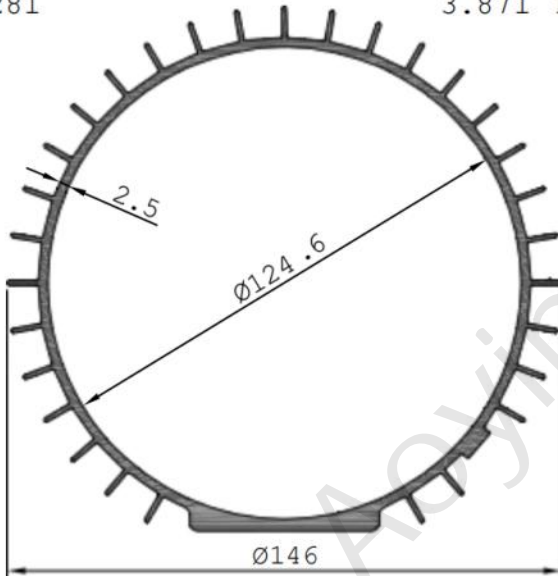
27280

3.827 kg/m



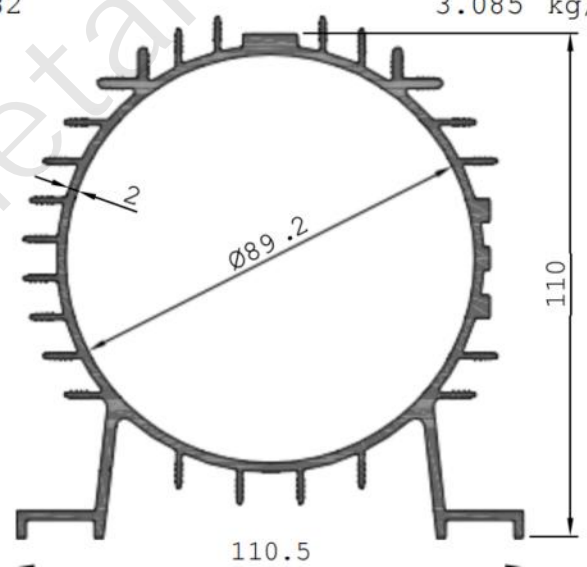
27281

3.871 kg/m



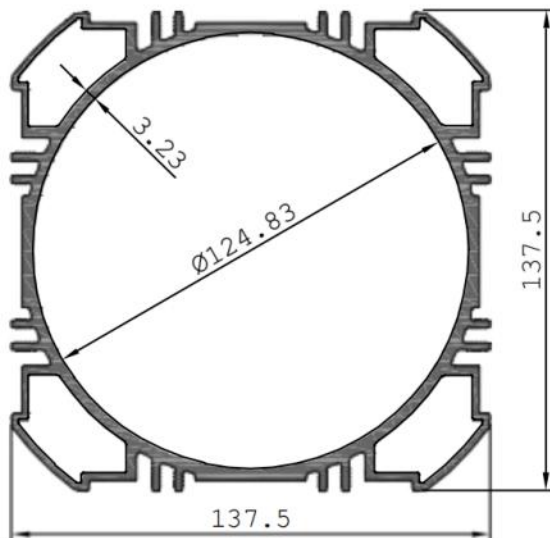
27282

3.085 kg/m



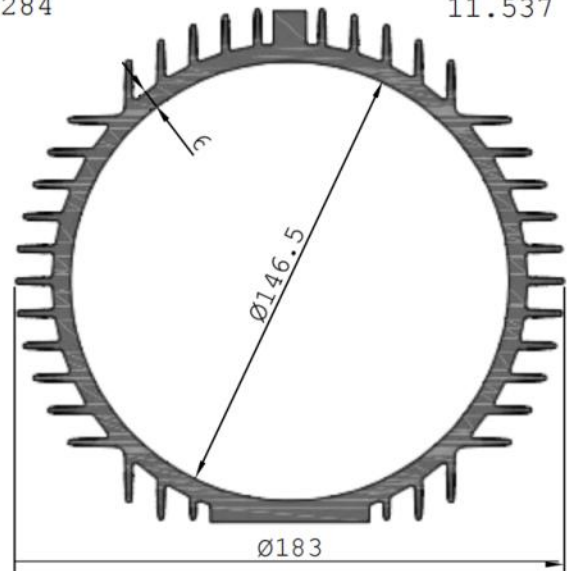
27283

6.370 kg/m



27284

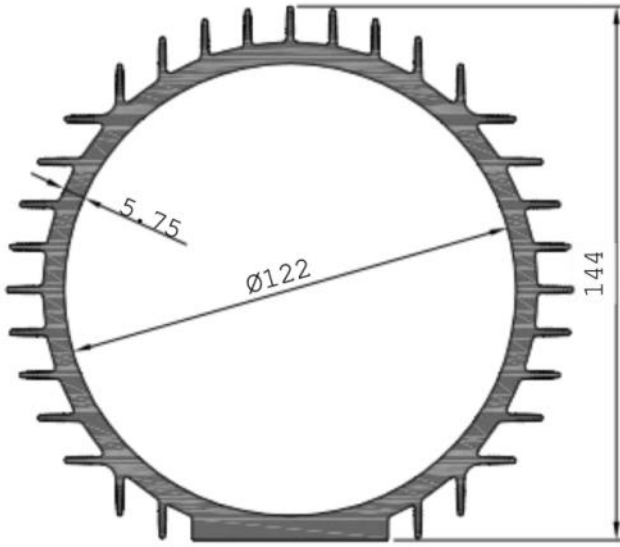
11.537 kg/m



PUMP AND MOTOR BODY

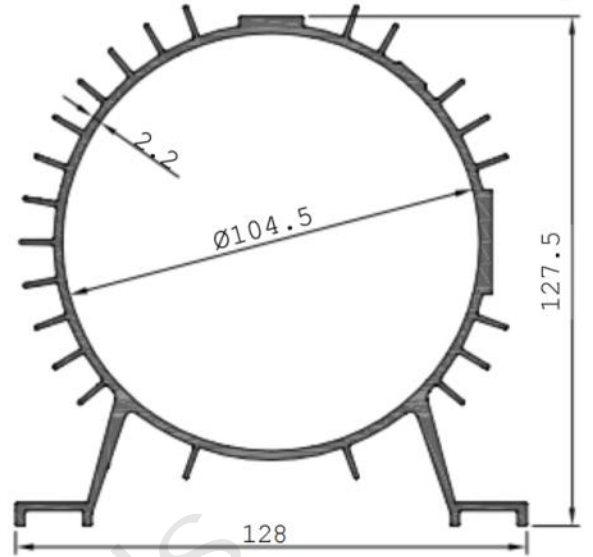
27285

8.269 kg/m



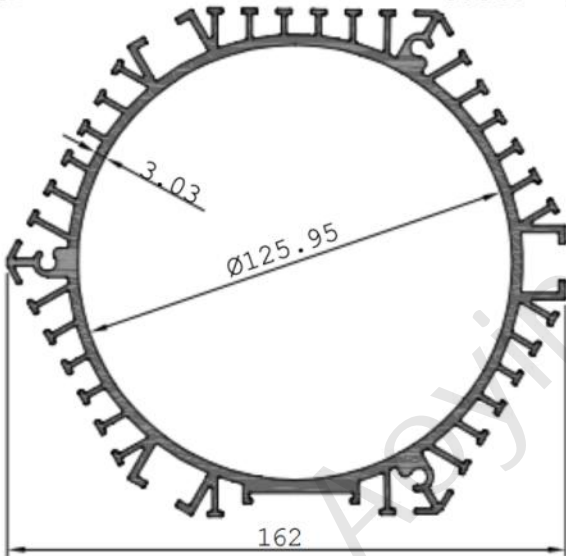
27286

3.508 kg/m



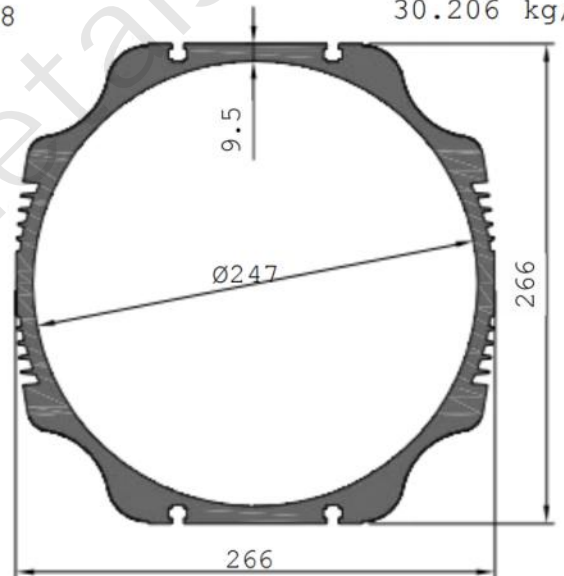
27287

6.363 kg/m



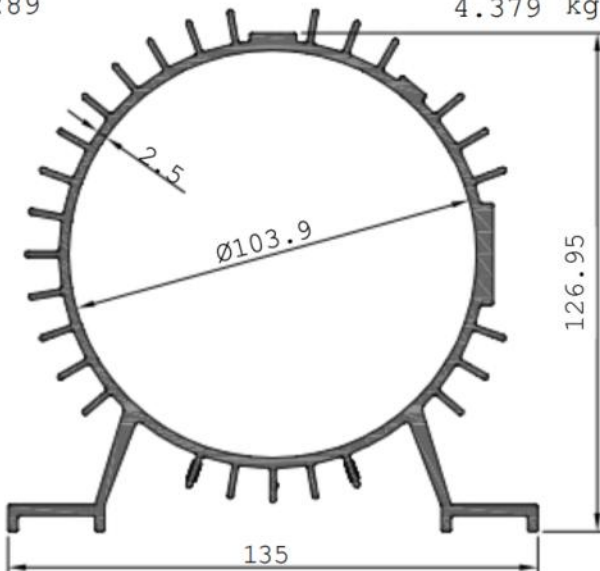
27288

30.206 kg/m



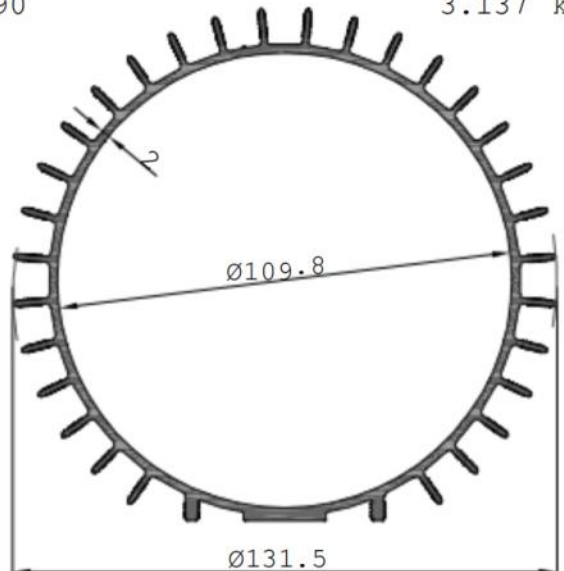
27289

4.379 kg/m



27290

3.137 kg/m

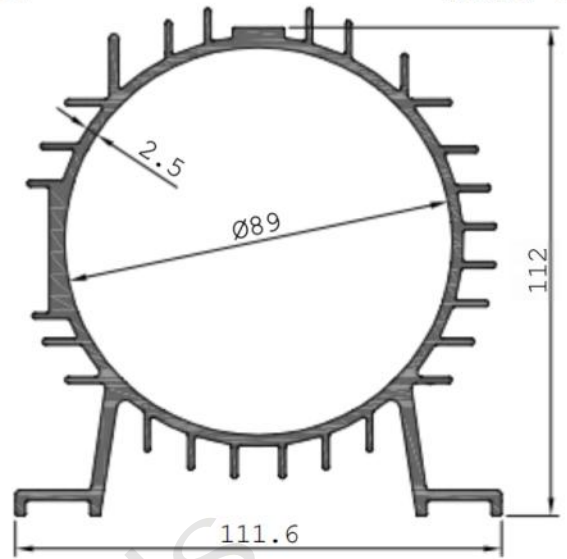
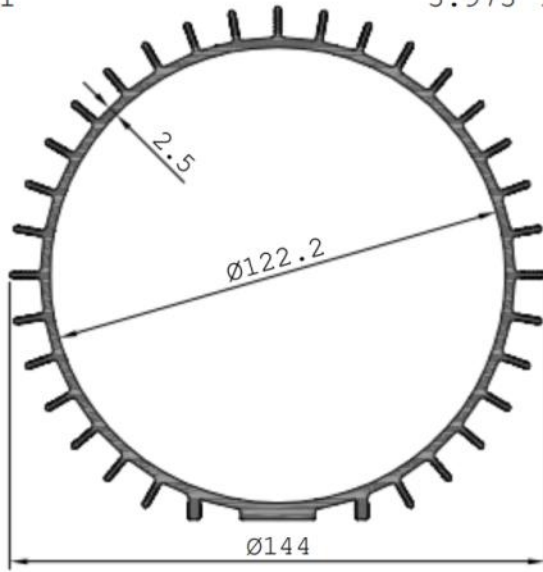


PUMP AND MOTOR BODY

27291

3.973 kg/m 27292

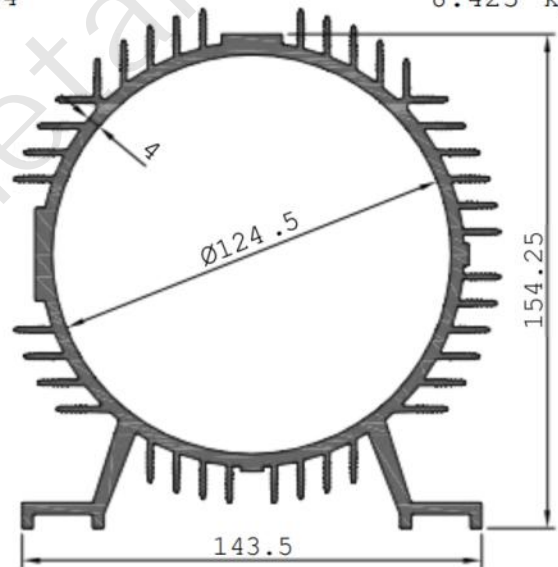
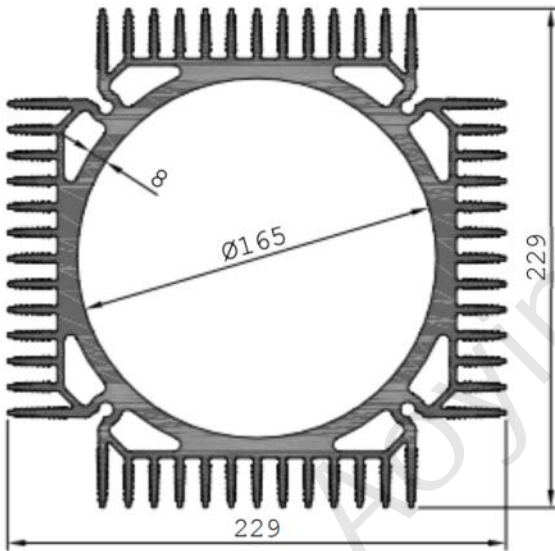
3.823 kg/m



27293

30.390 kg/m 27294

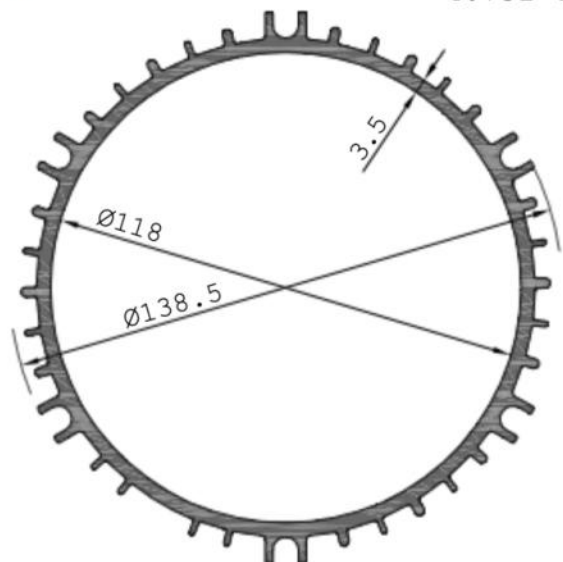
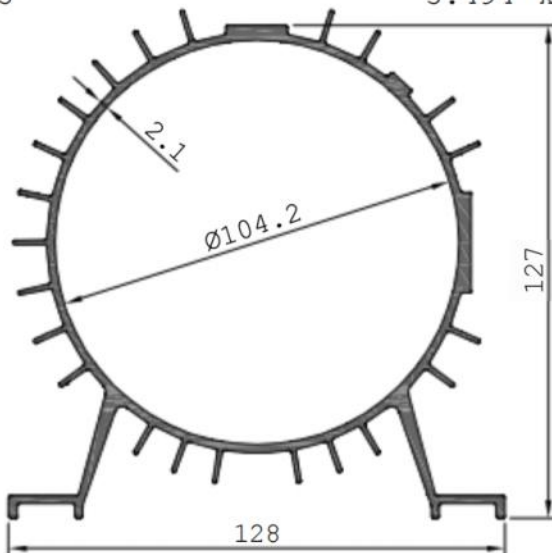
8.423 kg/m



27295

3.494 kg/m 27296

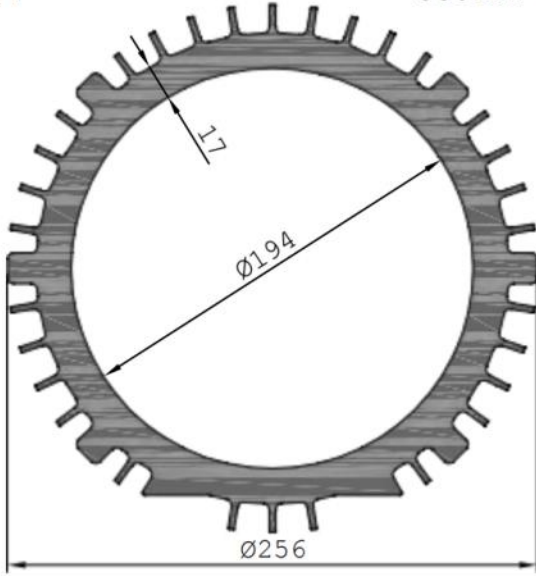
4.731 kg/m



PUMP AND MOTOR BODY

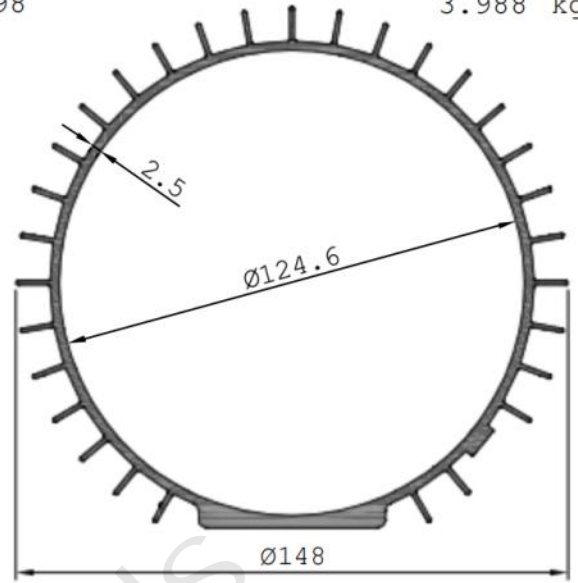
27297

38.442 kg/m



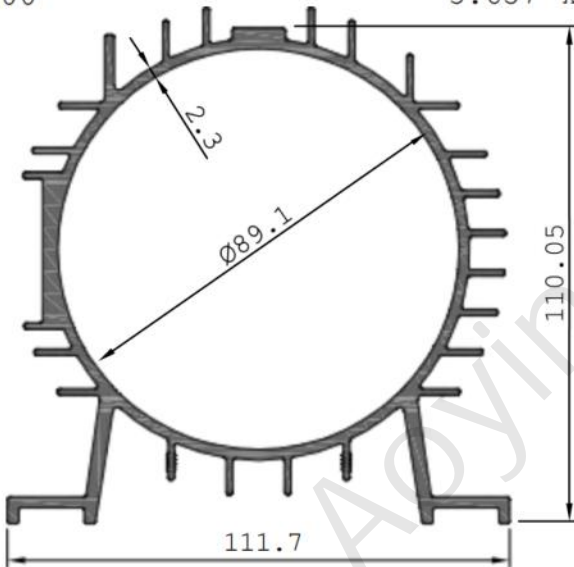
27298

3.988 kg/m



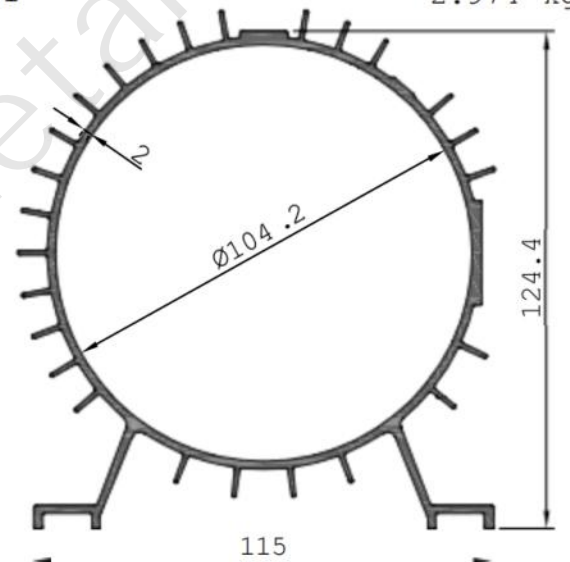
27300

3.657 kg/m



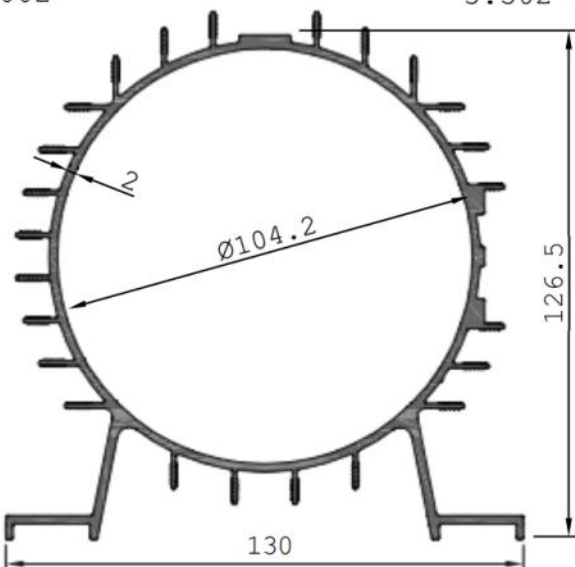
52001

2.974 kg/m



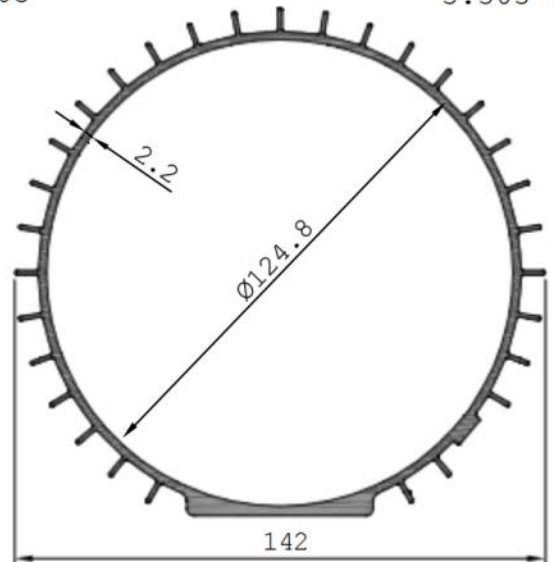
52002

3.502 kg/m



52003

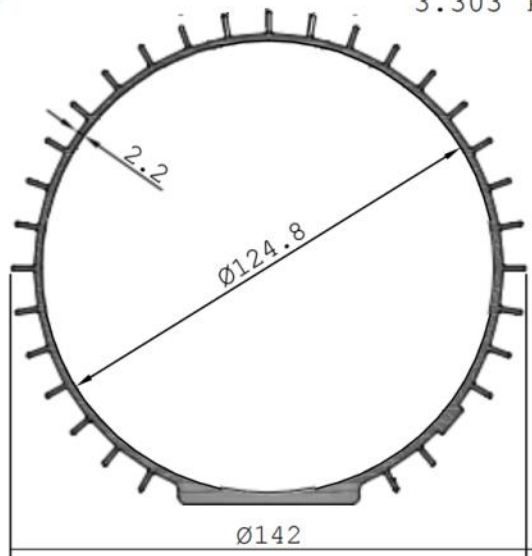
3.303 kg/m



PUMP AND MOTOR BODY

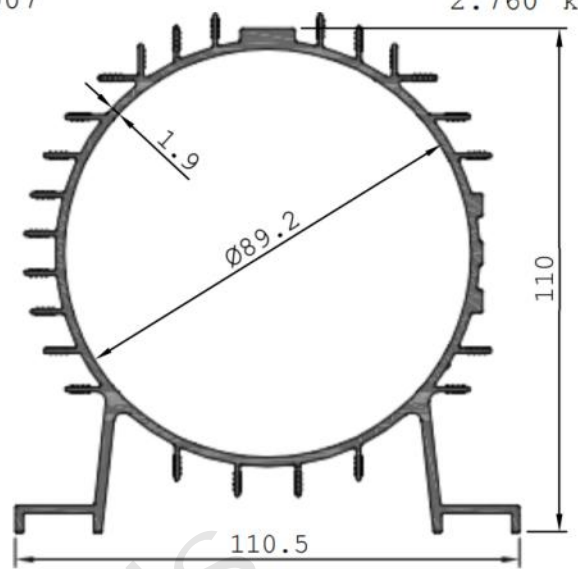
52003

3.303 kg/m



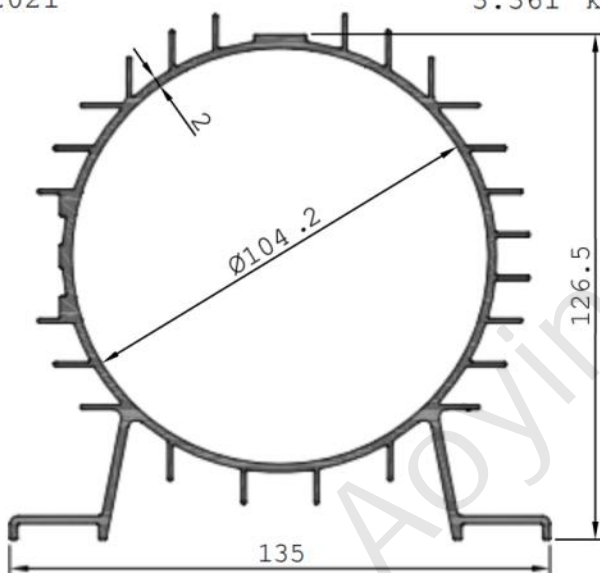
52007

2.760 kg/m



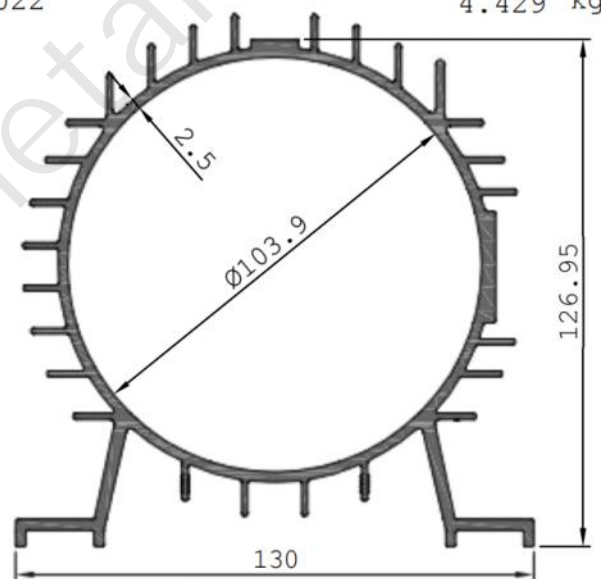
52021

3.361 kg/m



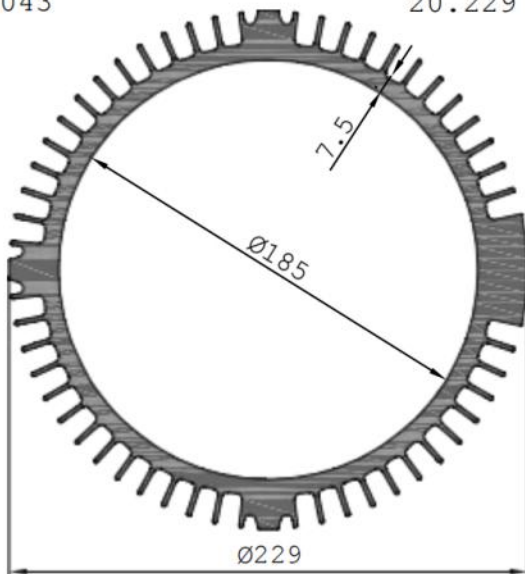
52022

4.429 kg/m



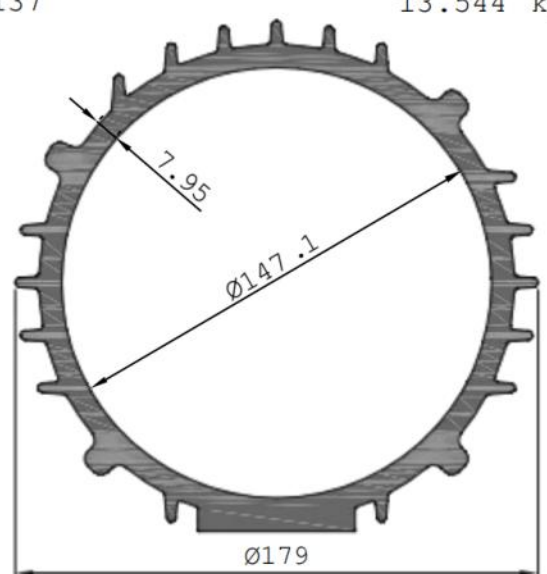
G100043

20.229 kg/m



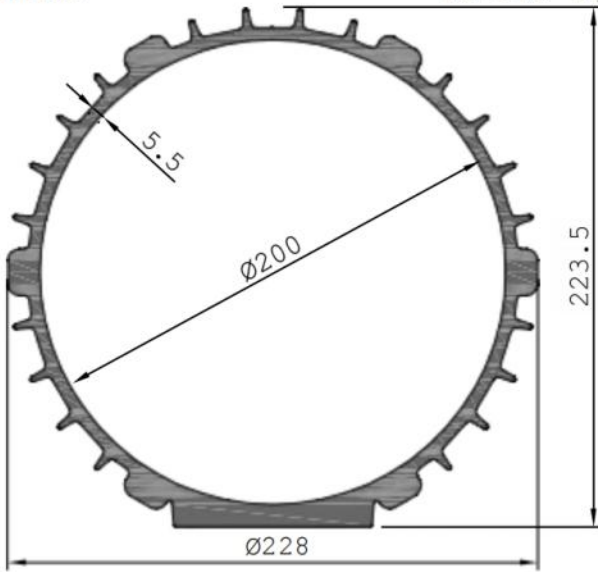
G100137

13.544 kg/m

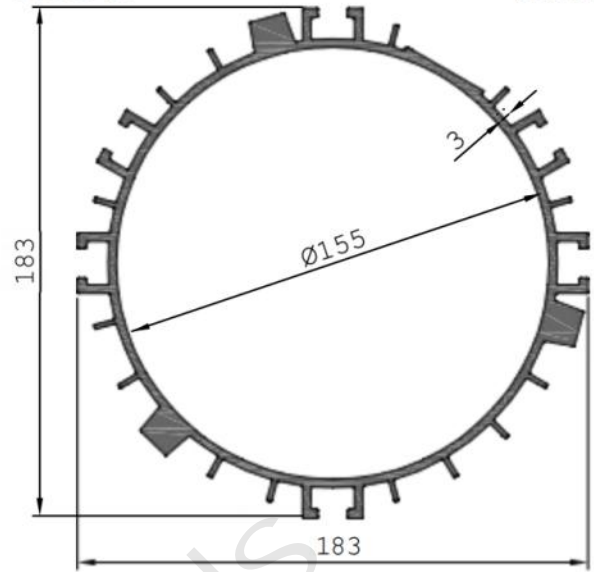


PUMP AND MOTOR BODY

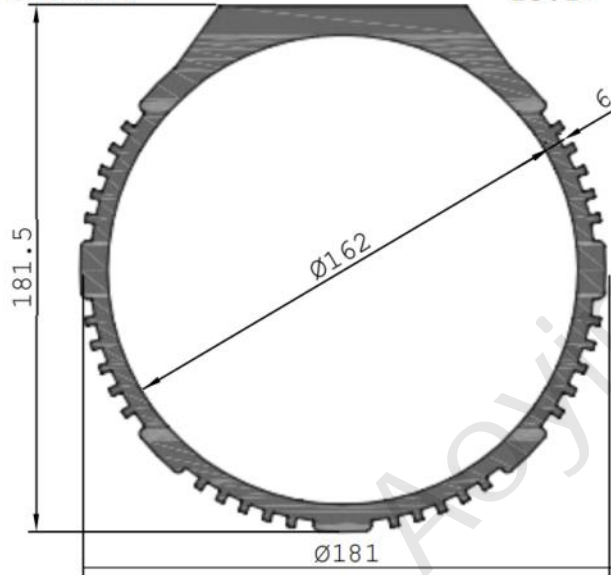
G100147 15.278 kg/m



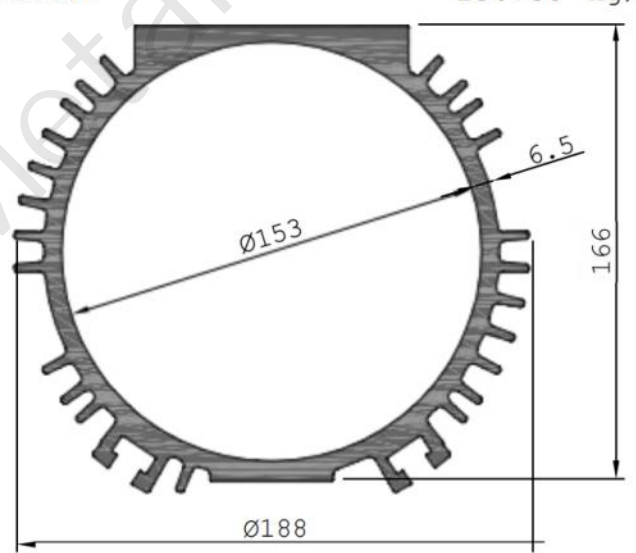
G100342 7.227 kg/m



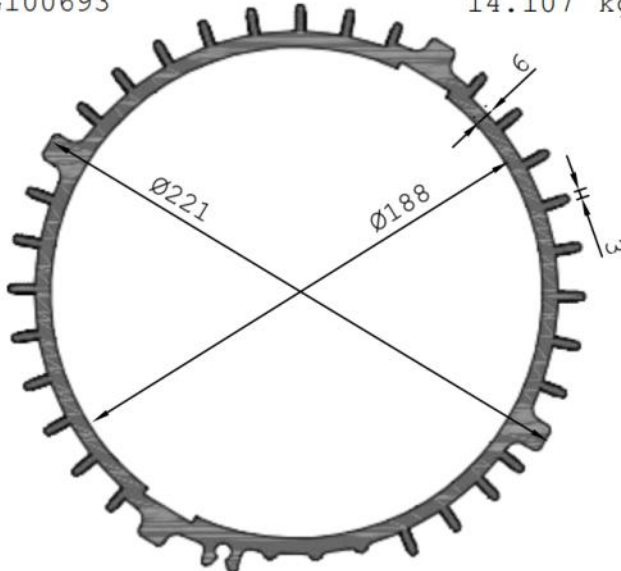
G100623 13.17 kg/m



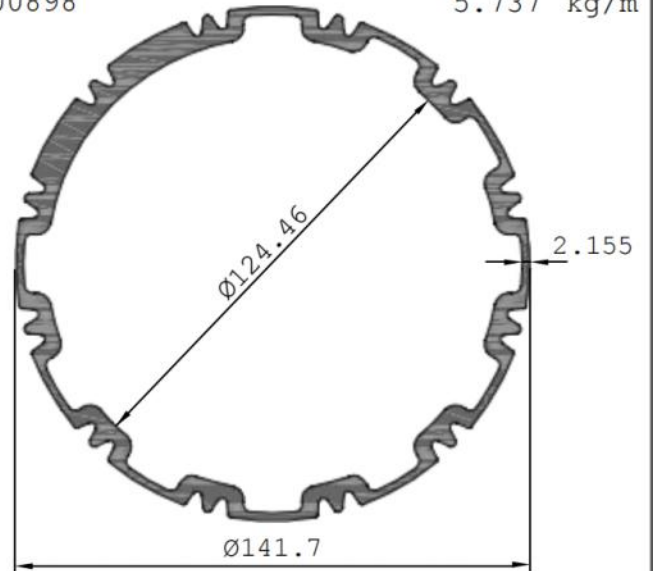
G100636 13.758 kg/m



G100693 14.107 kg/m



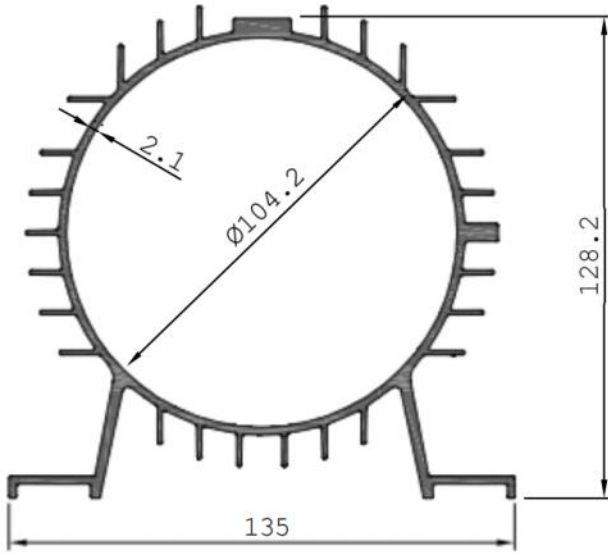
G100898 5.737 kg/m



PUMP AND MOTOR BODY

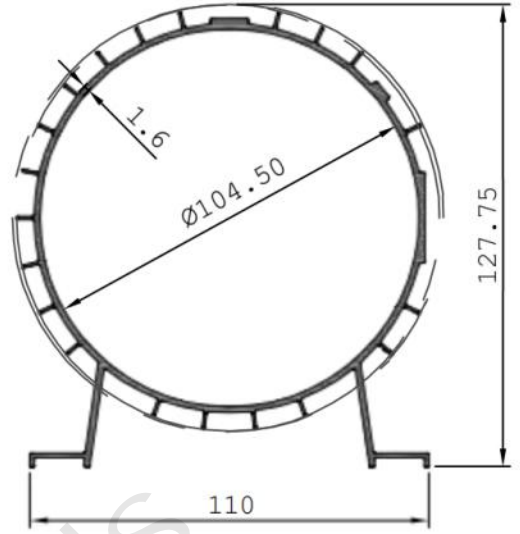
G102387

3.753 kg/m



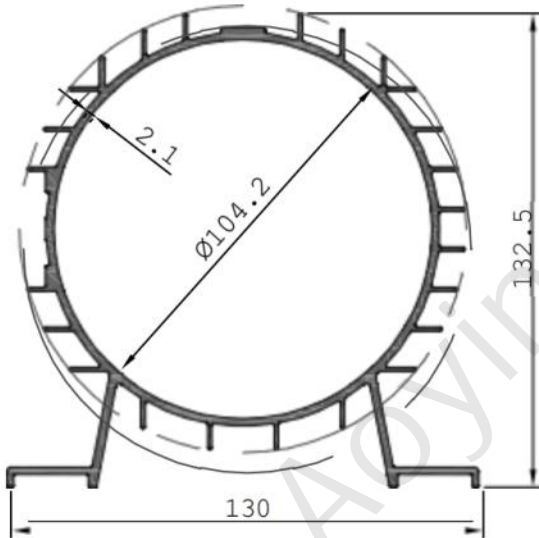
G102544

2.147 kg/m



G102587

3.237 kg/m



G102926

3.308 kg/m

